

## Pikaia/Pikaia in hide

Designer Angelo Natuzzi

Thanks to its flexible back, this particularly comfortable and ergonomic chair becomes a set of models to meet all requirements. The polyurethane structure is available in different colours, including a new beige colour, ideal for both the home and the contract furnishing sector. Pikaia chairs can also be upholstered in hide, adding prestige and versatility.

**Metal finish:**

Polished chrome steel

Lacquered steel (white, red, black and beige)

**Body finish:**

White polyurethane (PO1)

Red polyurethane (PO2)

Black polyurethane (PO3)

Beige polyurethane (PO4)

Hide (C1 → C12)

**!\* Chair with seat in hide and chrome frame terminating arm rests in black.**

### Chair

Code	Body	Legs	Vol.
05PIK02	polyurethane	lacquered steel	0.36
		polished chrome steel	
05PIK52	hide ★	lacquered steel	0.36
		polished chrome steel	

2 chairs in each package

### Stacking chair (L) max 4

Code	Body	Legs	Vol.
05PIK01	polyurethane	lacquered steel	0.36
		polished chrome steel	
05PIK51	hide ★	lacquered steel	0.36
		polished chrome steel	

4 chairs in each package

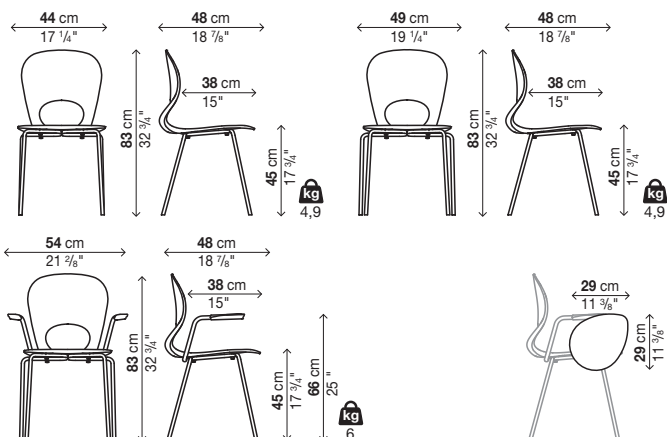
### Stacking chair with arm rests (L) max 4

Code	Body	Legs	Vol.
05PIK03	polyurethane	lacquered steel	0.36
		polished chrome steel	
05PIK54	hide ★	lacquered steel	0.36
		polished chrome steel *	

4 chairs in each package

### Optionals

Code		Vol.
02AGG05	joining element for stacking version	-
02TPK01	ABS writing board for armrest version	-



## Pikaia/Pikaia in hide with slide base

Designer Angelo Natuzzi

Thanks to its flexible back, this particularly comfortable and ergonomic chair becomes a set of models to meet all requirements. The polyurethane structure is available in different colours, including a new beige colour, ideal for both the home and the contract furnishing sector. Pikaia chairs can also be upholstered in hide, adding prestige and versatility.

**Metal finish:**

Polished chrome steel

Lacquered steel (white, red, black and beige)

**Body finish:**

White polyurethane (PO1)

Red polyurethane (PO2)

Black polyurethane (PO3)

Beige polyurethane (PO4)

Hide (C1 → C12)

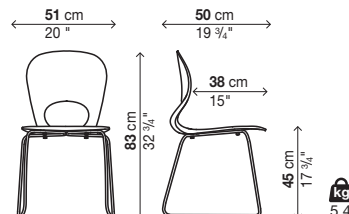
### Stacking chair (L) max 4

Code	Body	Legs	Vol.
05PIK04	polyurethane	lacquered steel	0.40
		polished chrome steel	
05PIK44	hide ★	lacquered steel	0.40
		polished chrome steel	

4 chairs in each package

### Optionals

Code		Vol.
02AGG05	joining element for stacking version	-



## Pikaia/Pikaia in hide on castors

Designer Angelo Natuzzi

Thanks to its flexible back, this particularly comfortable and ergonomic chair becomes a set of models to meet all requirements. The polyurethane structure is available in different colours, including a new beige colour, ideal for both the home and the contract furnishing sector. Pikaia chairs can also be upholstered in hide, adding prestige and versatility.

**Metal finish:**

Polished chrome steel

Lacquered steel (white, red, black and beige)

**Body finish:**

White polyurethane (PO1)

Red polyurethane (PO2)

Black polyurethane (PO3)

Beige polyurethane (PO4)

Hide (C1 → C12)

**! \*** Chair with seat in hide and chrome frame terminating arm rests in black.

### Chair

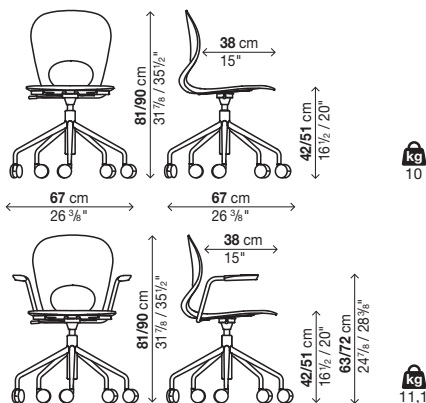
Code	Body	Metal finish	Vol.
05PIK05		lacquered steel	0,43
		polished chrome steel	
05PIK45	hide ★	lacquered steel	0,43
		polished chrome steel	

1 chairs in each package

### Chair with arm rests

Code	Body	Metal finish	Vol.
05PIK06		lacquered steel	0,43
		polished chrome steel	
05PIK46	hide ★	lacquered steel	0,43
		polished chrome steel *	

1 chairs in each package



## Pikaia/Pikaia in hide bench system

design Angelo Natuzzi

Thanks to its flexible back, this particularly comfortable and ergonomic chair becomes a set of models to meet all requirements. The polyurethane structure is available in different colours, including a new beige colour, ideal for both the home and the contract furnishing sector. Pikaia chairs can also be upholstered in hide, adding prestige and versatility.

**Metal finish:**

Polished chrome steel

**Body finish:**

White polyurethane (PO1)

Red polyurethane (PO2)

Black polyurethane (PO3)

Beige polyurethane (PO4)

Hide (C1 → C12)

**Table finish:**

Grey or black laminate

### 3 seats

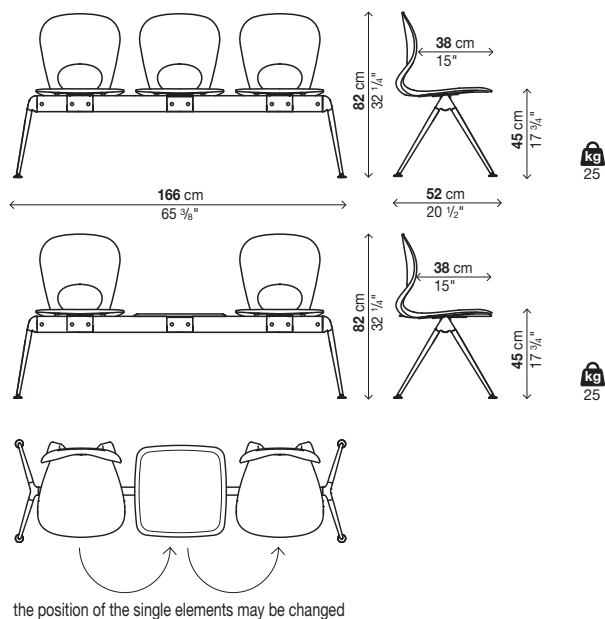
Code	Body	Metal finish	Vol.
05PIK10	polyurethane	polished chrome steel	0,43
05PIK47	hide ★	polished chrome steel	0,43

1 bench in each package

### 2 seats + table

Code	Body	Metal finish	Vol.
05PIK20	polyurethane	polished chrome steel	0,43
05PIK49	hide ★	polished chrome steel	0,43

1 bench in each package



## Finishes

### Finiture metallo

Metal finish / Metallausführungen / Acabados metal / Finitions métal



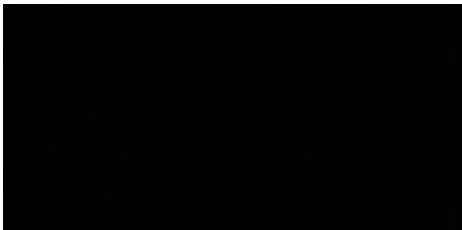
**Acciaio cromato** / Polished chrome steel / Stahl glänzend  
verchromt / Acero cromado / Acier chromé



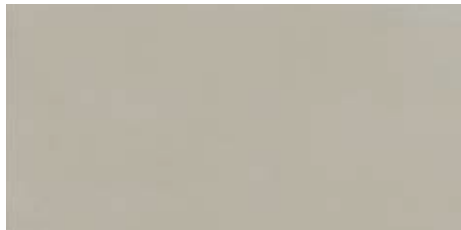
**Bianco** / White / Weiß / Blanco / Blanc



**Rosso** / Red / Rot / Rojo / Rouge



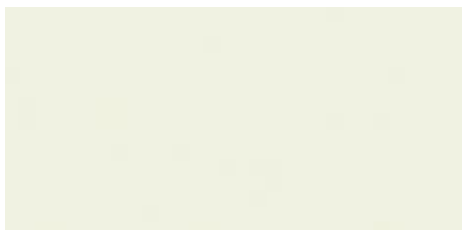
**Nero** / Black / Schwarz / Negro / Noir



**Beige** / Beige / Beige / Beige / Beige

### Finiture poliuretano

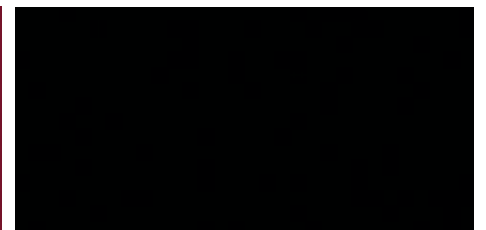
Polyurethane finish / Ausführung Polyurethan / Acabados poliuretano / Finitions polyuréthane



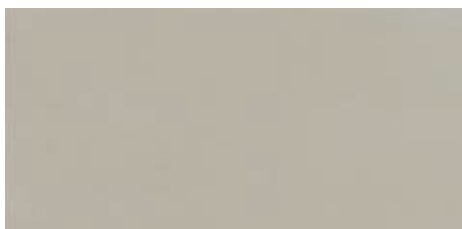
**PO1 Bianco** / White / Weiß / Blanco / Blanc



**PO2 Rosso** / Red / Rot / Rojo / Rouge



**PO3 Nero** / Black / Schwarz / Negro / Noir

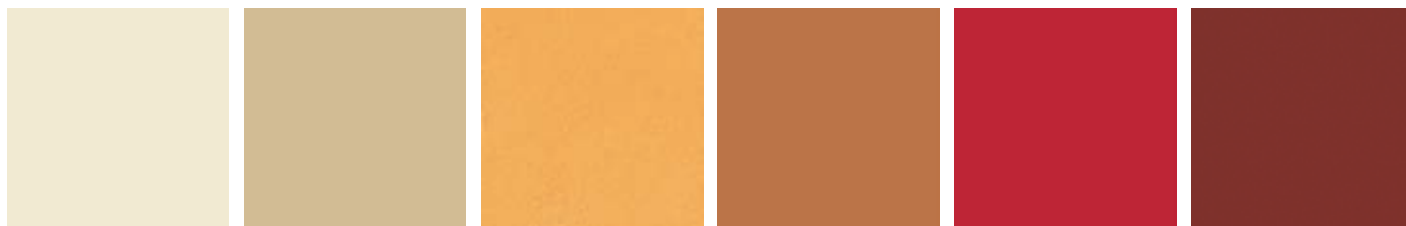


**PO4 Beige** / Beige / Beige / Beige / Beige

## Finishes

### Finiture cuoio

Hide finishes / Ausführungen Kernleder / Acabados cuero / Finitions cuir



C1

C2

C3

C4

C5

C6



C7

C8

C9

C10

C11

C12