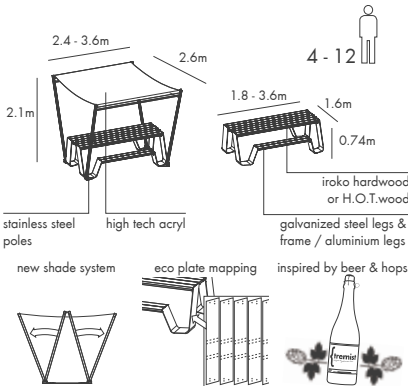




From hops to hopper

For the latest member of the Extremis family, Dirk Wynants got inspired by the hop culture and his very own hop garden. He was thinking about the large groups of hoppers and farmers who used to celebrate the end of the hop picking season at long rows of tables. *Hopper* comes in 4 sizes which will allow you to 'play' with it and attain exactly the length you are looking for. Regardless of how long you make the row, boarding the *hopper* stays easy, thanks to four pass through zones on each table.

© design by Dirk Wynants, 2010



Interior
Innovation
Award
2015
Winner



n° 20 hopper



1.



- 1 | *shade opening mechanism*
- 2 | *iroko hardwood*
- 3 | *galvanised legs with back rests*
- 4 | *alu version, colour earth*

- 5 | *hopper by night*
- 6 | *european h.o.t. wood*
- 7 | *free standing bench*

2.



3.



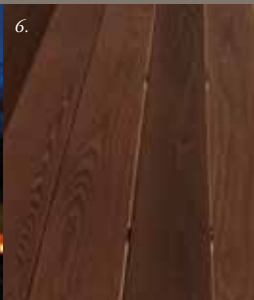
4.



5.



6.



7.



1.



2.



3.



picture hilde verbeke | demooiestezwembaden.be

4.



- 1 *hopper in use*
- 2 *private garden, poperinge*
- 3 *harbour, nieuwpoort*
- 4 *deltalight, wevelgem*