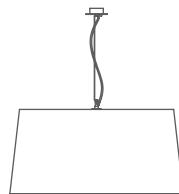


GT6

Santa & Cole Team, 1994

Hanging lamp



First came the GT5, for average-sized spaces, followed by the GT7, the perfect large-format lamp for public spaces. Now comes the GT6, conceived for smaller areas. The scale of this family of hanging shades may change, but its essence remains the same.

GENERAL DESCRIPTION

Shade available in 7 finishes: natural, red-amber or black ribbon and terracotta, mustard or green Raw Color ribbon and white linen.

Lower disk in translucent white plastic Ø 36cm / 14.2"

Circular metallic rosette satin nikel or textured white, black finished for a double or simple light source.

Suitable for side entry adaptor (CE Market).

Suitable for Outlet Box (UL Market).

Electric cable length: 3 m / 117"

LIGHT SOURCE

Fuentes de luz recomendadas:

1x / 2x LED bulb: 17 W

1x / 2x Compact fluorescent: 20 W

1x / 2x Incandescent: Max. 100 W

E27 - E26

(Max. hgt. 130 mm / 5.1")

Light source not included.

Compatible with bulbs of the Energy efficiency class (C.E.E):

A++... E.

Lámpara apta sólo para uso interior.

Lamp suitable only for indoor use.

Always use the light source recommended or equivalent.

Input voltage: 100, 120, 230 Vac

(50 Hz / 60 Hz) According to destination.

APPROXIMATE WEIGHT (without package)

1 Kg / 2.2 lb

REGULATIONS

CE



IP 20

UNE-EN 60598

UNE-EN 55015

UNE-EN 60529



Non-class 2

Dry location only

UL-1598

E-353545

MANTENANCE

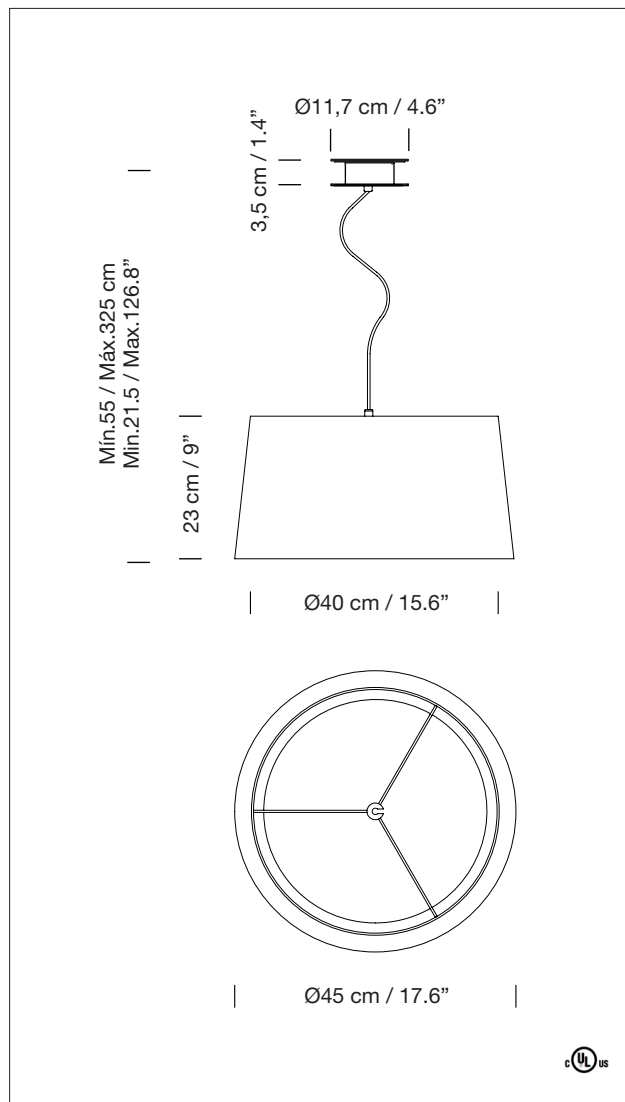
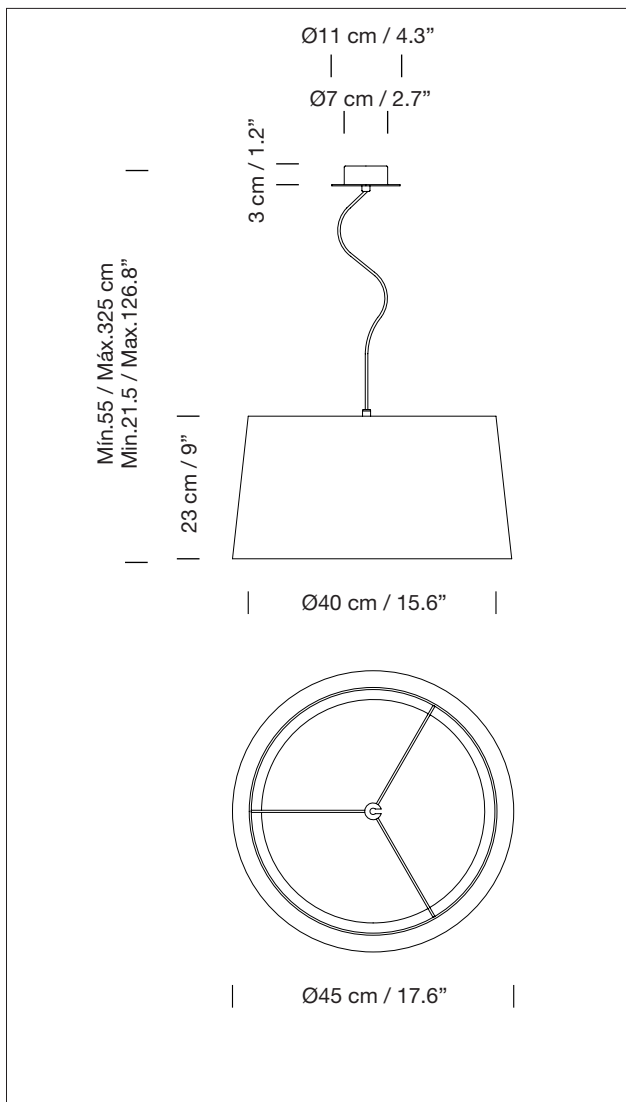
Clean with a smooth cloth. Do not to use ammonia, solvents or abrasive cleaning products.

OTHERS

The lamp is delivered in different packages.
The assembly instructions are delivered with the product.



MODELS



Collection

Table lamps



Tripode M3 / G6

Floor lamps



Tripode G5

Hanging lamps



GT5



GT7



GT1000 / GT1500