

FLOS

BUTTON

Mounting	Ceiling and wall
Lamps description	1 x 22W 2GX13 T5 FSC + 1 x 40W 2GX13 T5 FSC
Environment	Indoor, Outdoor
Finish	White / White, White / Blue
Technical description	Indoor and outdoor wall/ceiling lamp providing diffused light. Slightly opaline (PC opal), injection-molded polycarbonate diffuser. Closure screw/diffuser support in die-cast and handpolished aluminum alloy protected with liquid transparent paint. The wall attachment is slightly, injection-molded polycarbonate. The light bulb support is 30% glass fiberreinforced nylon, injection molded and matte white. Silicone elastomer dust and waterproof seals.

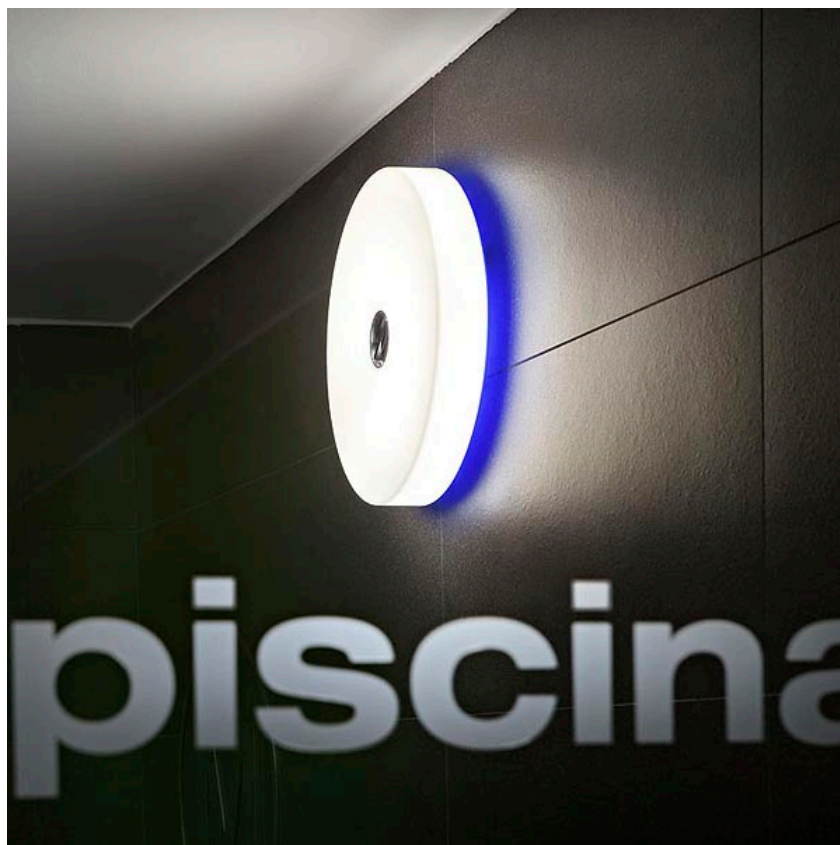


ELECTRICAL

Control gear availability	Included
Control gear type	Electronic
Emergency	Without
Voltage (V)	230/240

PHYSICAL



Supply	Terminal block
Construction material	Polycarbonate
Weight (kg)	2.1



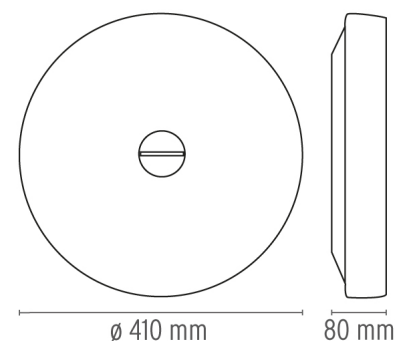
BUTTON

designed by Piero Lissoni

Indoor and outdoor wall/ceiling lighting lamp providing diffused light

	F3180009	White/White
	F3180014	White/Blue

DIMENSIONS



CERTIFICATIONS

